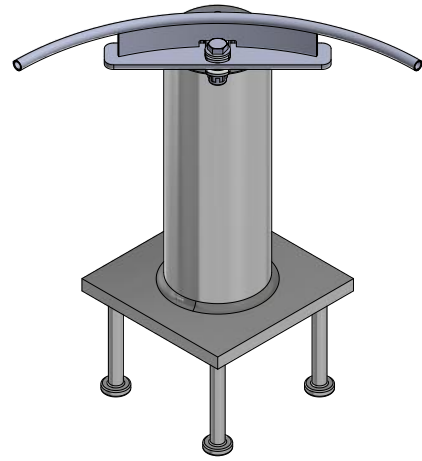
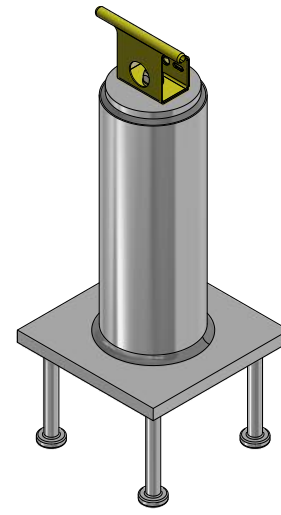


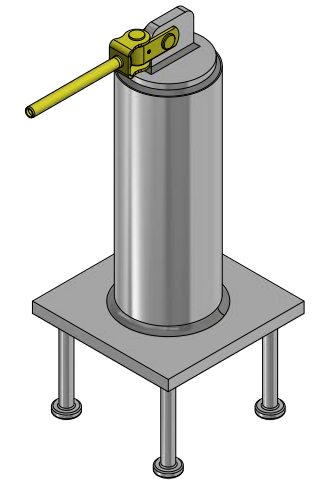
CIP END ANCHOR B
SCALE 1 1/2" = 1'-0"



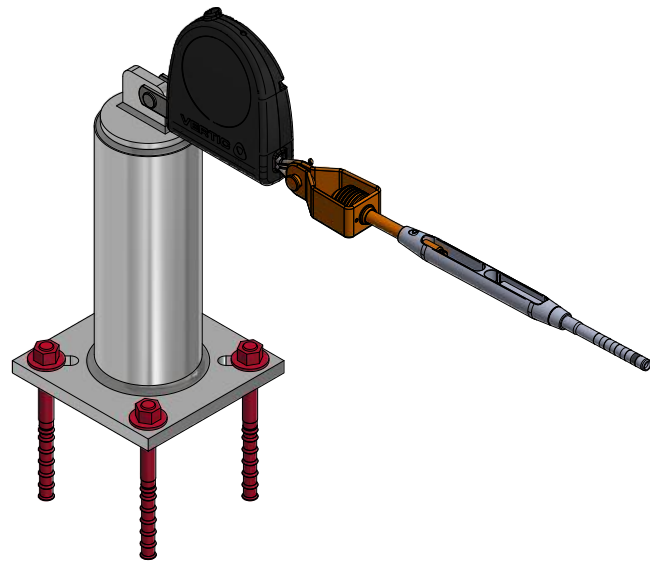
CIP CORNER ANCHOR
SCALE 1 1/2" = 1'-0"



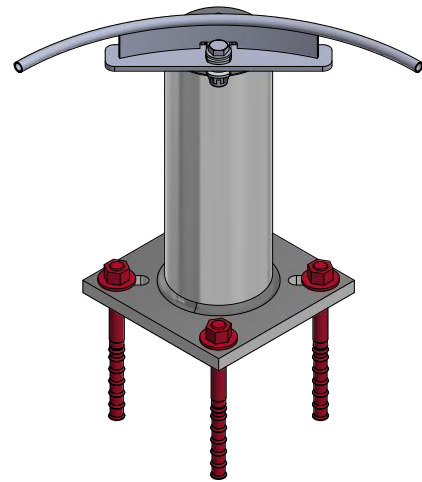
CIP INTERMEDIATE ANCHOR
SCALE 1 1/2" = 1'-0"



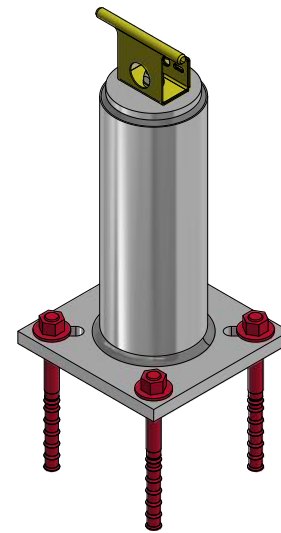
CIP END ANCHOR A
SCALE 1 1/2" = 1'-0"



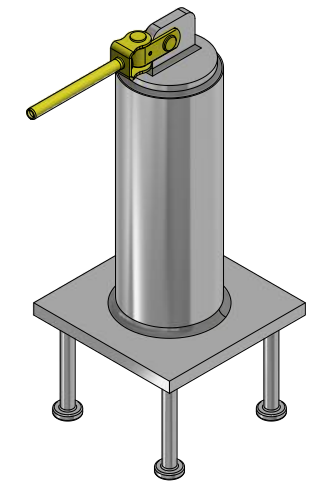
ADHESIVE END ANCHOR B
SCALE 1 1/2" = 1'-0"



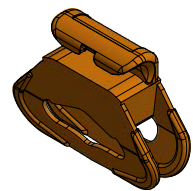
ADHESIVE CORNER ANCHOR
SCALE 1 1/2" = 1'-0"



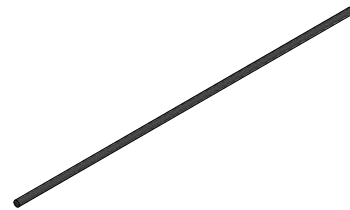
ADHESIVE INTERMEDIATE ANCHOR
SCALE 1 1/2" = 1'-0"



ADHESIVE END ANCHOR A
SCALE 1 1/2" = 1'-0"



CABLE RUNNER
SCALE 3" = 1'-0"



CABLE SS 316 GRADE
SCALE 1 1/2" = 1'-0"



15751 Sheridan St. #217 Ft. Lauderdale, FL 33331
 info@AccessSpecialtyGroup.com
 305 619.2464
 www.AccessSpecialtyGroup.com

DESIGNED BY: ASG	9/19/2019	PROJECT: HORIZONTAL LIFELINE COMPONENTS	
CHECKED:		TITLE: HORIZONTAL LIFELINE	
QA		SIZE: B	DWG NO:
MFG:		SCALE	REV
APPROVED:		SHEET 1 OF 1	
MATERIAL:			
SURFACE FINISH:			
MASS: 437.381 lbmass			