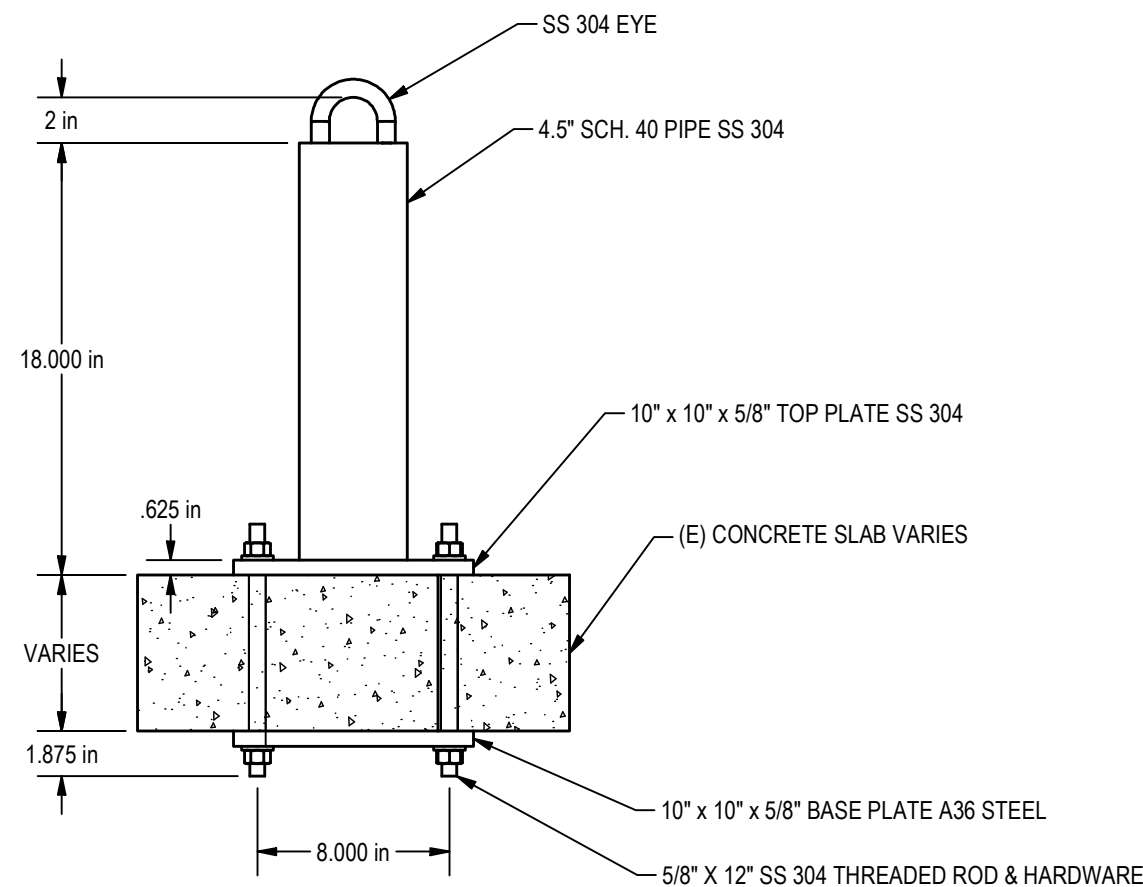


1,250 WLL
5,000 lbs Ultimate Load
In Any Direction

GENERAL NOTES:

1. THE STRUCTURAL ENGINEER OF RECORD FOR THE PROJECT IS RESPONSIBLE FOR VERIFYING THAT THE STRUCTURE SUPPORTS THE LOADS IMPOSED BY THESE ANCHORS
2. ANCHORS ARE DESIGNED TO SUPPORT THE FOLLOWING LOADS IN COMPLIANCE WITH OSHA, CAL/OSHA, NY DOL, ANSI A120-2014 AND IWCA I-14 STANDARDS AND REGULATIONS:
1,250 LBS WLL WORKING LOAD LIMIT
2,500 LBS PROOF LOAD
5,000 LBS ULTIMATE LOAD
3. IT IS THE RESPONSIBILITY OF THE BUILDING OWNER/PROPERTY MANAGER TO ENSURE ALL ANCHORS ARE INSPECTED AND CERTIFIED ANNUALLY BY ASG AND A CERTIFICATE OF USE ISSUED PRIOR TO USE.
4. IMPROPER USE OF ANCHORS OR MODIFICATION OF ANCHOR IS STRICTLY PROHIBITED AND CAN RESULT IN PRODUCT FAILURE, SERIOUS INJURY OR DEATH.
5. EVERY CONTRACTOR OR INDIVIDUAL USING SUSPENDED MAINTENANCE EQUIPMENT SHALL REVIEW AND ABIDE BY THE SHOP DRAWINGS PROVIDED WITH THE SYSTEM.
6. FOR RETROFIT APPLICATIONS, OPENING AND CLOSING OF THE ROOF PENETRATIONS IS BY OTHERS.



CONFIDENTIALTY NOTICE:
THE INFORMATION, DESIGNS AND MANUFACTURING METHODS CONTAINED IN THIS DRAWING ARE PATENTED CONFIDENTIAL AND THE PROPRIETARY PROPERTY OF USAnchor®
NEITHER THIS DESIGN NOR ANY INFORMATION CONTAINED IN THIS DRAWING MAY BE REPRODUCED OR DISCLOSED TO OTHERS WITHOUT THE EXPRESS WRITTEN CONSENT OF USAnchor®



DESIGNED BY: ASG	2/4/2021	PROJECT: TECHNICAL DETAIL SHEET	
CHECKED:			
QA		TITLE: ROOF ANCHOR 18" - THRU BOLT/ADHESIVE	
MFG:			
APPROVED:			
MATERIAL:		SIZE: B	DWG NO: USA-RA20I400V2
SURFACE FINISH:		SCALE	REV
MASS: 60,942 lbmass			SHEET 1 OF 1