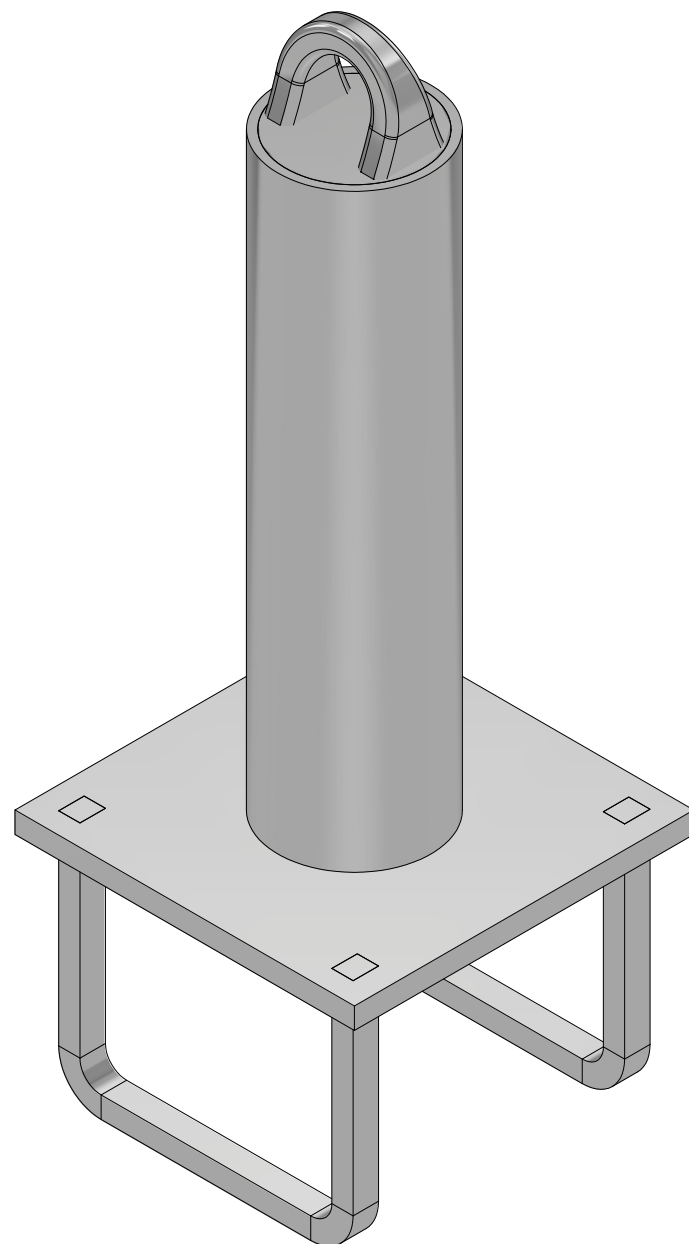
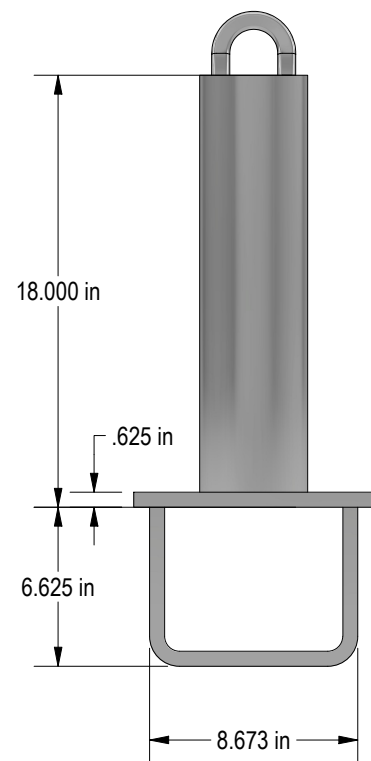
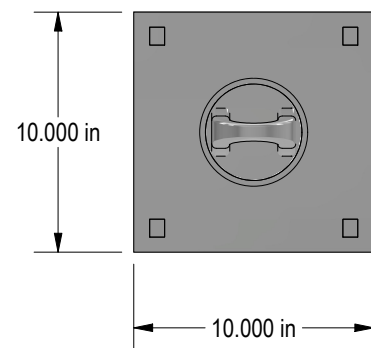



1,250 WLL
5,000 lbs Ultimate Load
In Any Direction



GENERAL NOTES:

1. THE STRUCTURAL ENGINEER OF RECORD FOR THE PROJECT IS RESPONSIBLE FOR VERIFYING THAT THE STRUCTURE SUPPORTS THE LOADS IMPOSED BY THESE ANCHORS
2. ANCHORS ARE DESIGNED TO SUPPORT THE FOLLOWING LOADS IN COMPLIANCE WITH OSHA, CAL/OSHA, NY DOL, ANSI A120-2014 AND IWCA I-14 STANDARDS AND REGULATIONS:
1,250 LBS WLL WORKING LOAD LIMIT
2,500 LBS PROOF LOAD
5,000 LBS ULTIMATE LOAD
3. IT IS THE RESPONSIBILITY OF THE BUILDING OWNER/PROPERTY MANAGER TO ENSURE ALL ANCHORS ARE INSPECTED AND CERTIFIED ANNUALLY BY ASG AND A CERTIFICATE OF USE ISSUED PRIOR TO USE.
4. IMPROPER USE OF ANCHORS OR MODIFICATION OF ANCHOR IS STRICTLY PROHIBITED AND CAN RESULT IN PRODUCT FAILURE, SERIOUS INJURY OR DEATH.
5. EVERY CONTRACTOR OR INDIVIDUAL USING SUSPENDED MAINTENANCE EQUIPMENT SHALL REVIEW AND ABIDE BY THE SHOP DRAWINGS PROVIDED WITH THE SYSTEM.

CONFIDENTIALTY NOTICE:
THE INFORMATION, DESIGNS AND MANUFACTURING METHODS CONTAINED IN THIS DRAWING ARE PROPRIETARY PROPERTY OF USAnchor® NEITHER THIS DESIGN NOR ANY INFORMATION CONTAINED IN THIS DRAWING MAY BE REPRODUCED OR DISCLOSED TO OTHERS WITHOUT THE EXPRESS WRITTEN CONSENT OF USAnchor®

 4750 Oakes Road, Unit R, Davie FL 33314 www.USAnchor.com		PROJECT: TECHNICAL DETAIL SHEET	
		TITLE: ROOF ANCHOR 18" - CAST IN PLACE	
APPROVED:	DRAWN: 3/16/2021	SIZE:	REV
MATERIAL:		B	USA-RACIP
SURFACE FINISH:		SCALE	
WEIGHT: N/A			SHEET 1 OF 1